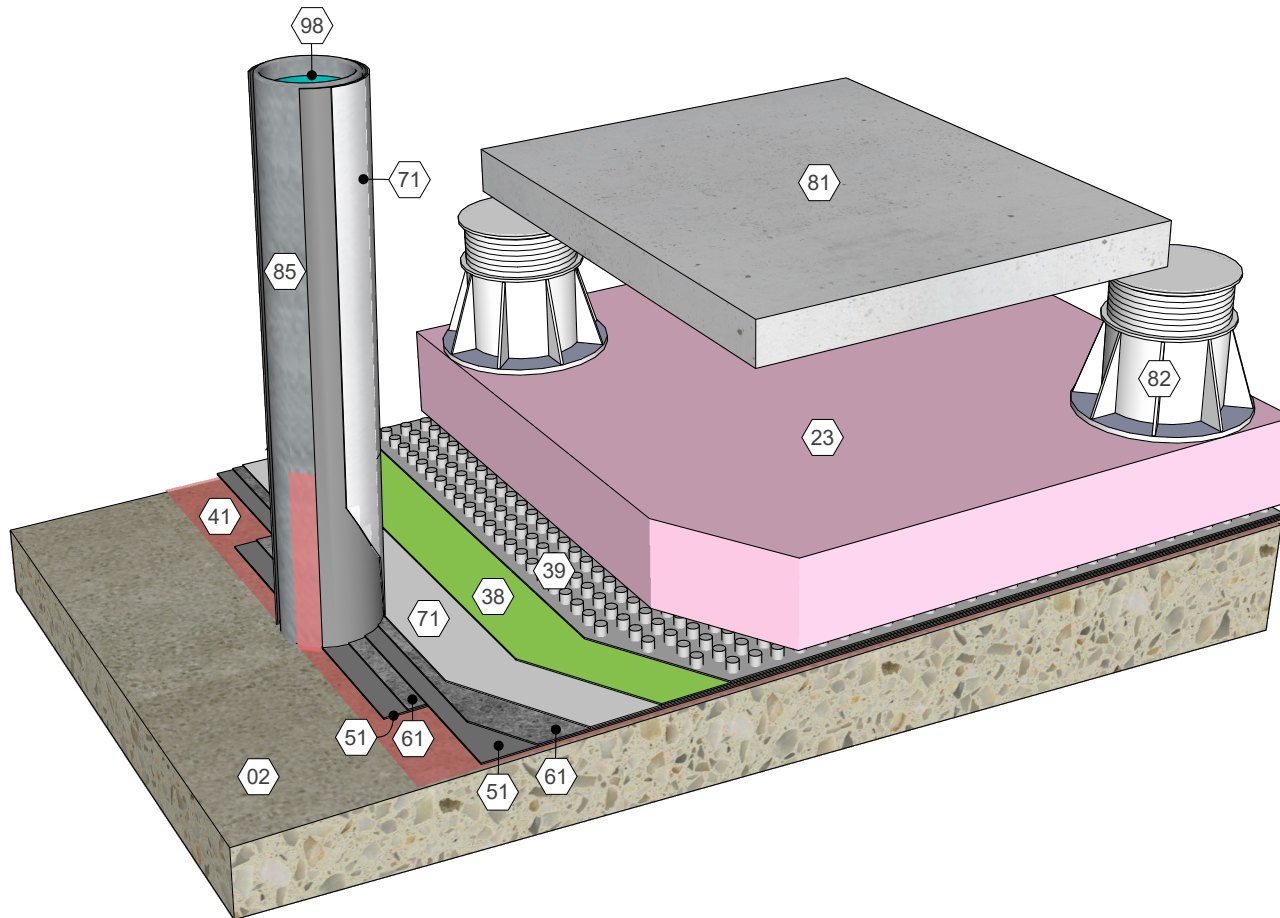


## KEY NOTES

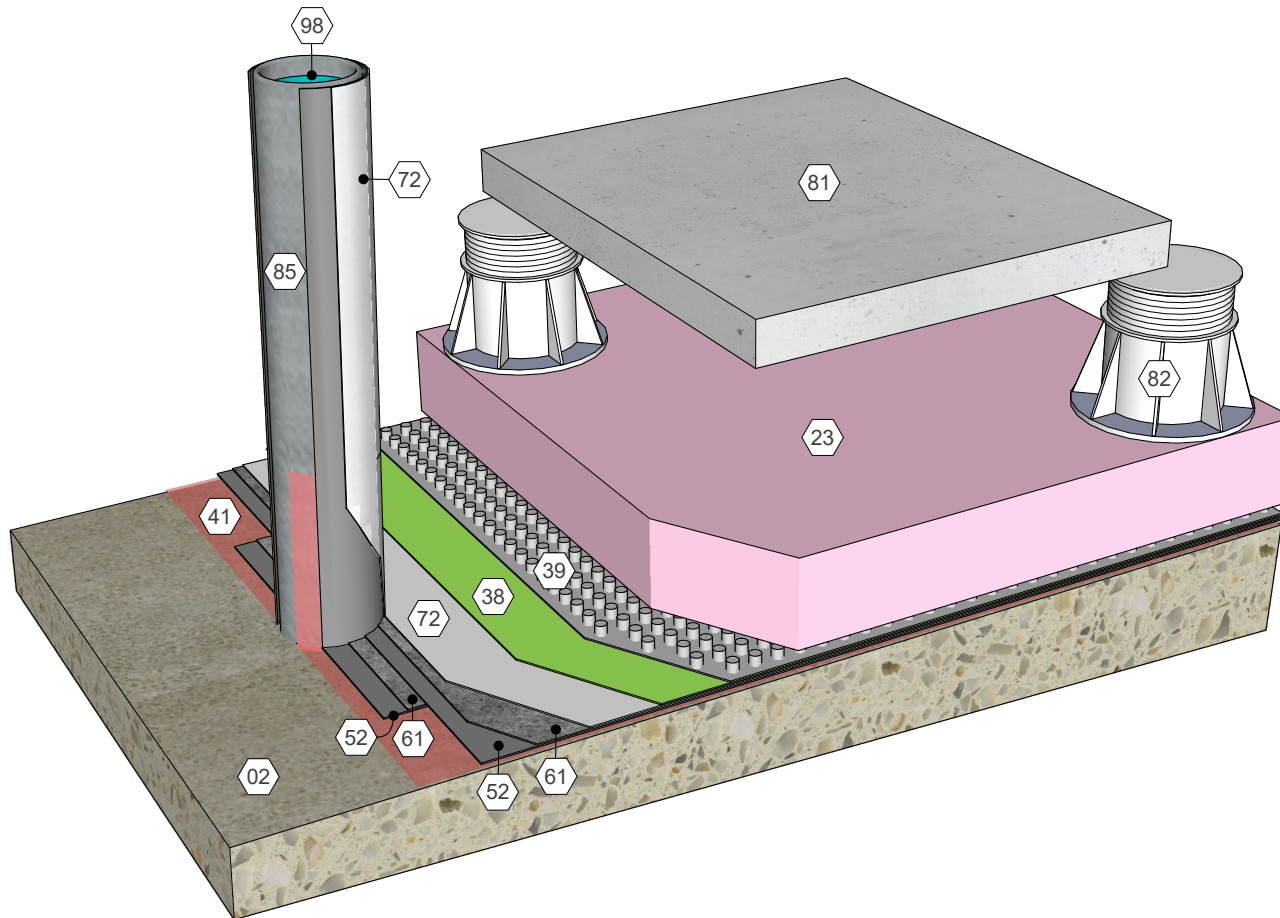
- 02 Structural Concrete Deck
- 23 Approved Insulation
- 38 Protection Sheet, Optional
- 39 Drainage Board
- 41 Approved Primer
- 51 AlphaGuard MT/MTS Base Coat
- 61 AlphaGuard Glass Mat or Permafab
- 71 AlphaGuard MT/MTS Top Coat
- 81 Paver
- 82 Paver Pedestal
- 85 Lead Sleeve
- 98 Plumbing Vent



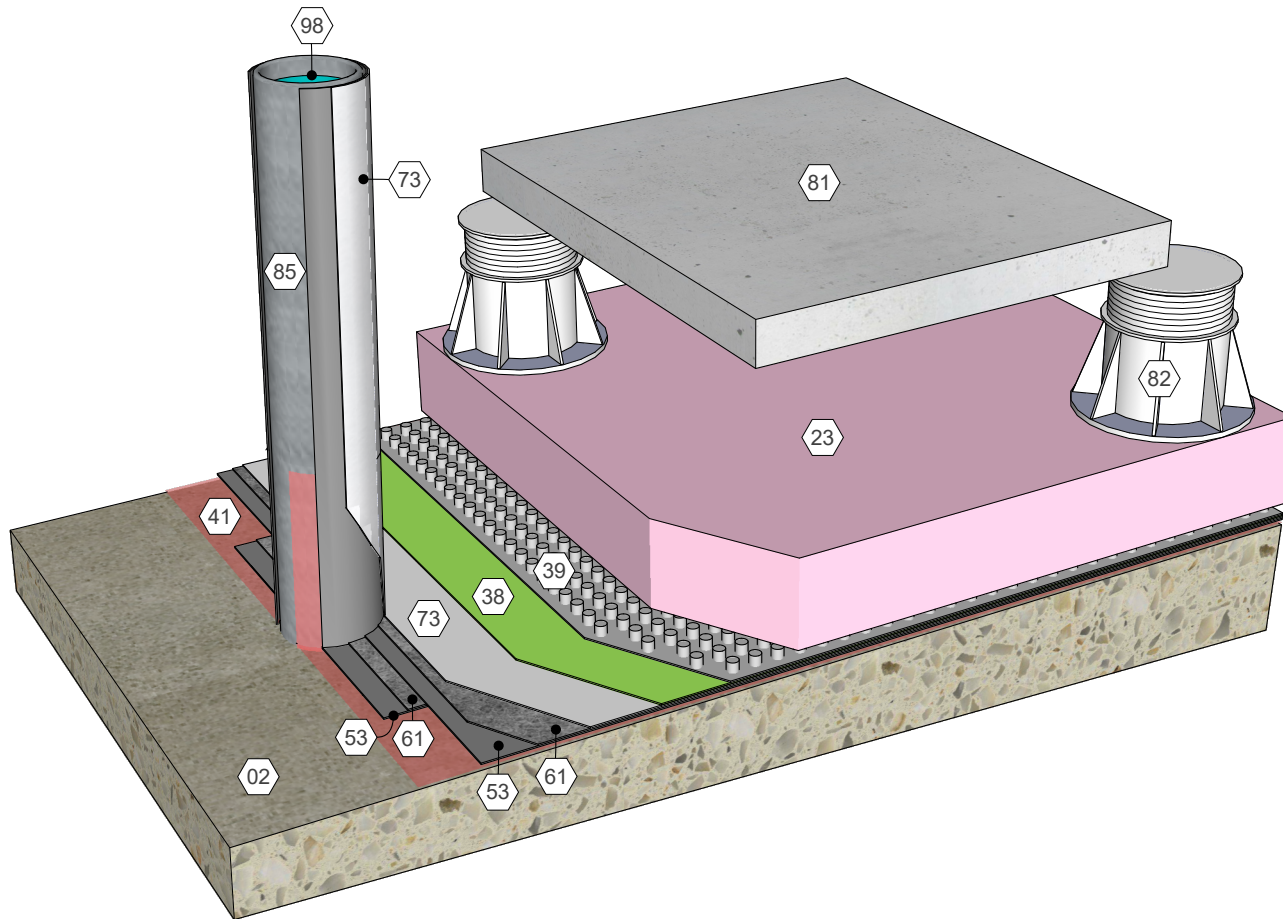
AlphaGuard® MT/MTS Plumbing Vent Detail, Direct to Concrete  
Detail 10181

## KEY NOTES

- 02 Structural Concrete Deck
- 23 Approved Insulation
- 38 Protection Sheet, Optional
- 39 Drainage Board
- 41 Approved Primer
- 52 AlphaGuard BIO Base Coat
- 61 AlphaGuard Glass Mat or Permafab
- 72 AlphaGuard BIO Top Coat
- 81 Paver
- 82 Paver Pedestal
- 85 Lead Sleeve
- 98 Plumbing Vent



AlphaGuard® BIO Plumbing Vent Detail, Direct to Concrete  
Detail 10182



## KEY NOTES

- 02 Structural Concrete Deck
- 23 Approved Insulation
- 38 Protection Sheet, Optional
- 39 Drainage Board
- 41 Approved Primer
- 53 AlphaGuard PUMA Base Coat
- 61 AlphaGuard Glass Mat or Permafab
- 73 AlphaGuard PUMA Top Coat
- 81 Paver
- 82 Paver Pedestal
- 85 Lead Sleeve
- 98 Plumbing Vent

AlphaGuard® PUMA Plumbing Vent Detail, Direct to Concrete  
Detail 10183